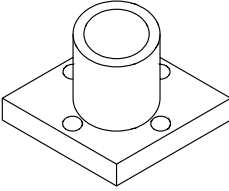
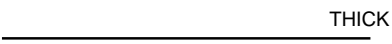
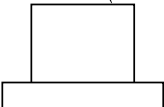
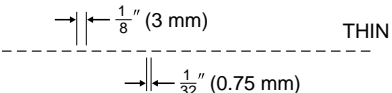
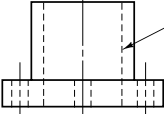
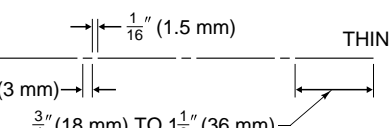
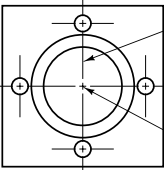
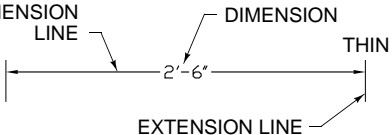
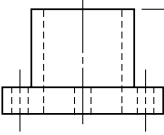
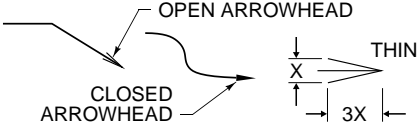
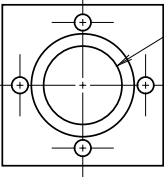
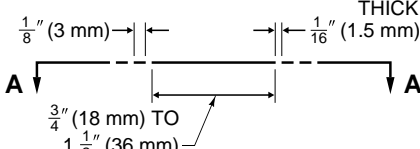
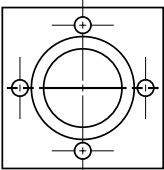
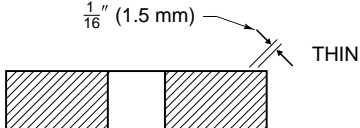
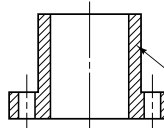
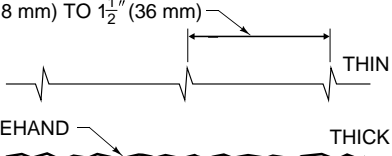
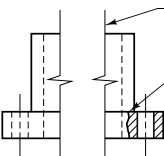


## ALPHABET OF LINES

| NAME AND USE  | CONVENTIONAL REPRESENTATION  | EXAMPLE   |  |
|---|--|---|---|
| <p><b>OBJECT LINE</b><br/>Define shape.<br/>Outline and detail objects.</p>                                       |  THICK  | <p>OBJECT LINE</p>                                      |   |
| <p><b>HIDDEN LINE</b><br/>Show hidden features.</p>   |  THIN   |  HIDDEN LINE  |   |
| <p><b>CENTER LINE</b><br/>Locate centerpoints of arcs and circles.</p>  |  THIN   |  CENTER LINE<br>CENTERPOINT                             |   |
| <p><b>DIMENSION LINE</b><br/>Show size or location.</p> <p><b>EXTENSION LINE</b><br/>Define size or location.</p> |  DIMENSION LINE<br>DIMENSION<br>EXTENSION LINE     |  DIMENSION LINE<br>EXTENSION LINE                      |   |
| <p><b>LEADER</b><br/>Call out specific features.</p>  |  OPEN ARROWHEAD<br>CLOSED ARROWHEAD<br>THIN<br>3X |  1 1/2 DRILL<br>LEADER                                |   |
| <p><b>CUTTING PLANE</b><br/>Show internal features.</p>   |  THICK<br>A<br>A<br>THIN<br>3X                    |  LETTER IDENTIFIES SECTION VIEW<br>CUTTING PLANE LINE |   |
| <p><b>SECTION LINE</b><br/>Identify internal features.</p>  |  THIN   |  SECTION LINES  |   |
| <p><b>BREAK LINE</b><br/>Show long breaks.</p> <p><b>BREAK LINE</b><br/>Show short breaks.</p>                    |  THIN<br>THICK<br>FREEHAND                        |  LONG BREAK LINE<br>SHORT BREAK LINE                  |   |